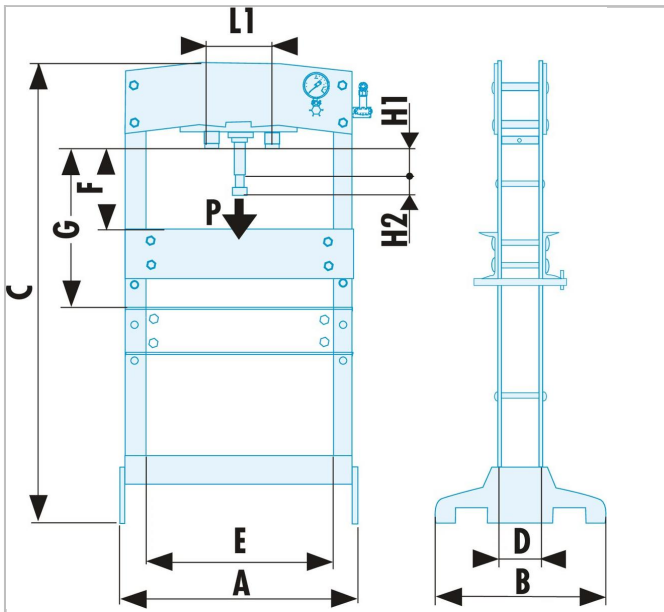


W.430PN | 30 TONS HYDRO-PNEUMATIC PRESSE



Description:

- Lateral moving jack.
- Integral pusher support + pushers included.
- Supplied with pair of Vees.
- Quick approach with the handle and the air hand trigger .
- Winch
- Strong and stable construction.
- Floor anchoring possible.
- Eye level pressure gauge for a better visibility.



	W.430PN
A [mm]	975.0