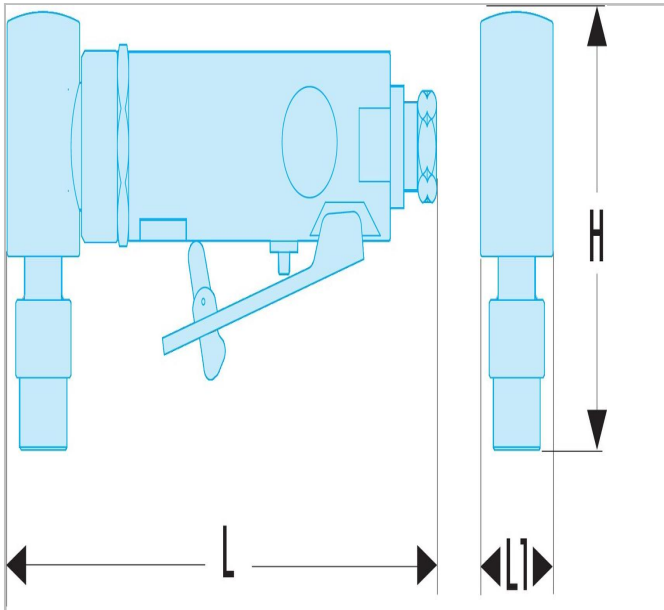



V.AG50F | Angled pneumatic grinder 50 mm - 2"



Description:

- For light grinding: removing rust, welding preparation, body work.
- Comfortable grip.
- Safety lever.
- Side exhaust.
- Trimming grinder diam. 50 mm.



	V.AG50F
Height H [mm]	85.0
Length L [mm]	138.0
Length L1 [mm]	59.0
Vibration Level [m/s ²]	1,7 (K=1,02)
Maximum Speed [rpm]	20000.0
Weight [Kg]	20000.0