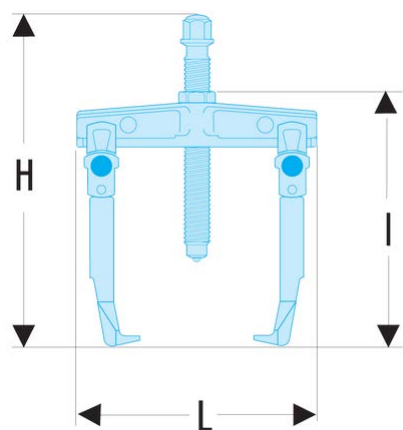


U.32T15-25 U.32T - Lockable 2-leg sliding-leg pullers**Description:**

- Versatile: conversion possible in inside or outside grip with the same meg.
- Safety: knurled locking button.

A mini - maxi [mm]:	25 - 250
A1 mini - maxi [mm]:	180 - 380
B mini - maxi [mm]:	180 - 380
L x l x H [mm]:	364 x 305 x 360
P maxi [mm]:	170
Hex Size [mm]:	35
Puller:	41
Ton [t]:	15
Screw Size:	U.32T15-1
Screw Size [mm]:	35
T [kN]:	150
[kg]:	8,600