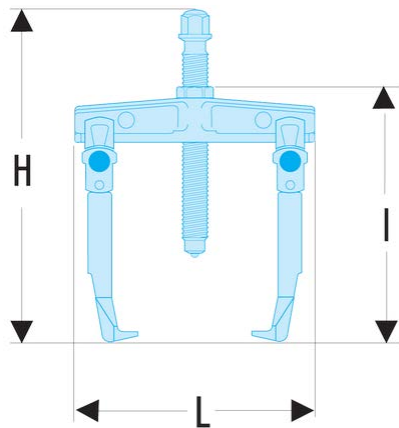
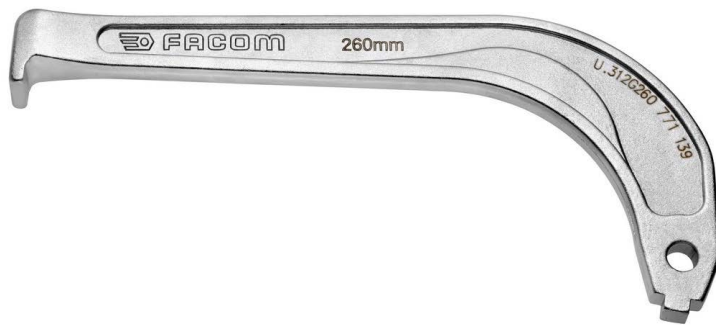


**U.312G260 U.312HJ3 - Mounting with legs**

A [mm]:	7
C mini - maxi [mm]:	110 - 270
Width l [mm]:	295
L x l x H [mm]:	330 x 312 x 492
P maxi [mm]:	260
Ton [t]:	10
T [kN]:	100
[kg]:	1,000