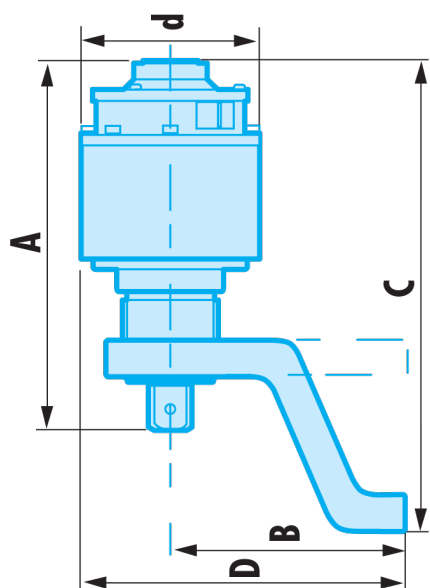


## NP.600B NP.B - Sets with torque multiplier



### Description:

- Powerful tightening and untightening without external energy source.
- Constant multiplication ratio: 25:1.
- Safety: input torquer limiter.
- Non-return system.
- Rate = 25:1.
- Supplied with 2 reaction arms (straight and angled) and one spare drive square, with a compliance certificate.

|                             |          |
|-----------------------------|----------|
| <b>A [mm]:</b>              | 271      |
| <b>B [mm]:</b>              | 154      |
| <b>C [mm]:</b>              | 351      |
| <b>d [mm]:</b>              | 119      |
| <b>Offset Arm:</b>          | NP.400JC |
| <b>Straight Arm:</b>        | NP.400JD |
| <b>Capacity Maxi [N.m]:</b> | 6000     |
| <b>F Square:</b>            | 1"1/2    |
| <b>Male Square:</b>         | 1/2      |
| <b>Contents:</b>            | Box      |
| <b>[kg]:</b>                | 10,60    |