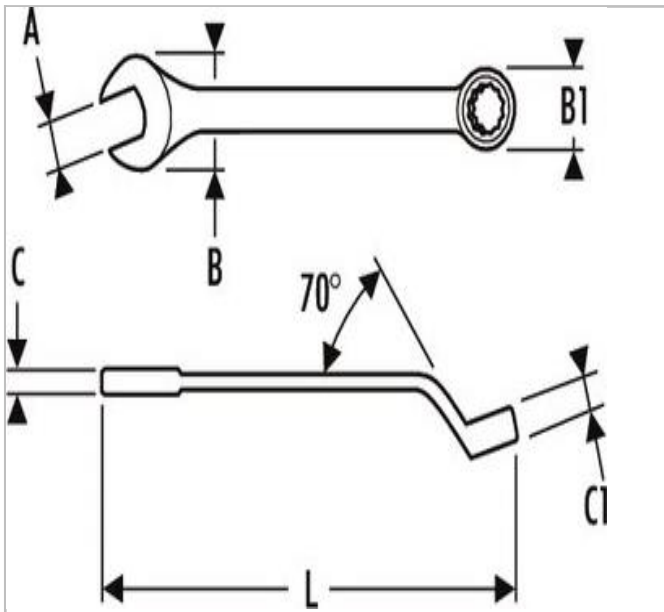



E117368 | EXPERT 6 x 6 point flare nut wrenches



Description:

- DIN 3118
- ISO 691
- 12-point OGV® ring angled at 15°.
- Open end angled at 15° from handle axis.
- 6-point heads up to 12 x 14 mm.
- Forged in Chrome Vanadium steel.
- High chrome finish.



	E117368
A [in]	24
Length L [mm]	255.0
Head Height C [mm]	16.0
Head Height C1 [mm]	17.0
Head Width B [mm]	42.4
Head Width B1 [mm]	46.4
Weight [mm]	0.412
Diameter [mm]	18.0
Diameter D1 [mm]	20.0