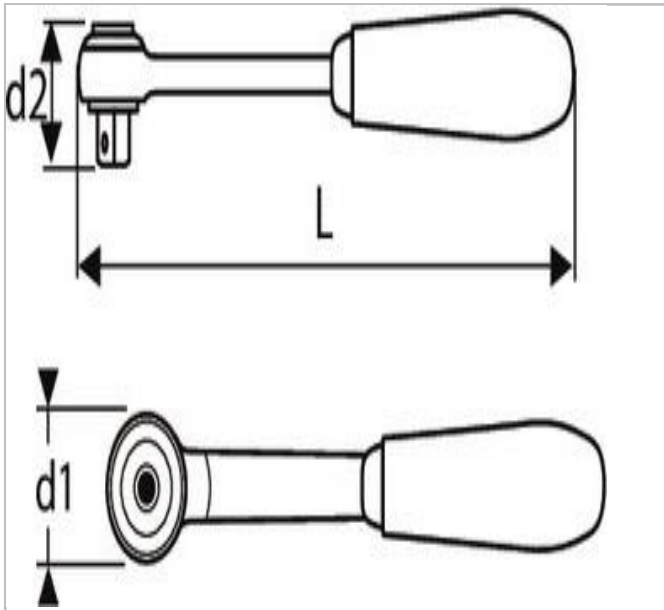



E113819 | EXPERT 3/4" ratchet with handle



Description:

- ISO 3315
- DIN 3122
- ISO 1174-1
- Safety lock for all sockets and accessories.
- 24 tooth mechanism.
- 15° increment.
- Chrome vanadium steel.
- Matt Chrome finish.
- Delivered with locking handle on the ratchet head.



	E113819
Diameter D1 [mm]	63.4
Diameter D2 [mm]	59.0
Length L [mm]	568.0
Weight [Kg]	2.37