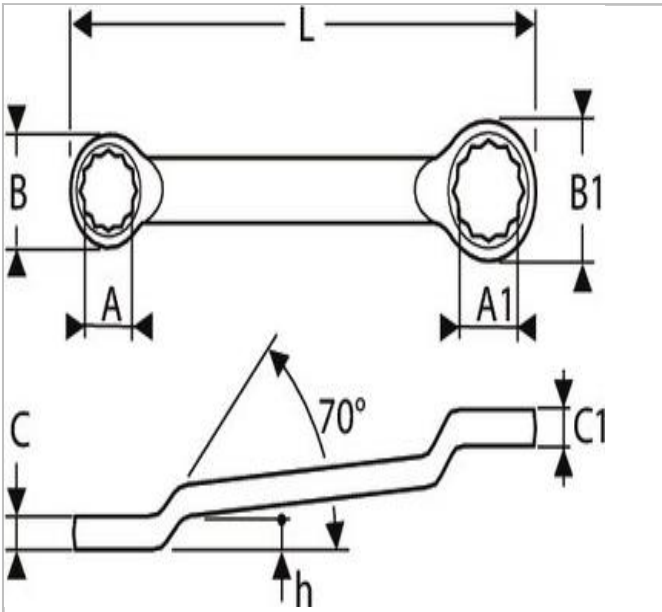



## E113369 | EXPERT Offset ring wrenches - Metric



### Description:

- ISO 691
- ISO 1711-1
- ISO 3318
- ISO 10104
- DIN 838
- 12-point OGV® ring wrenches offset by 70° for better access to recessed nuts.
- OGV® Ring profile maximizing contact surface with the nut for a longer lifetime.
- Forged in Chrome Vanadium steel.
- High chrome finish.



|  | E113369 |
|--|---------|
| A [mm]   | 27      |
| Length L [mm]  | 372.0   |
| Height H [mm]  | 37.0    |
| Head Width B [mm]  | 42.0    |
| Head Width B1 [mm]   | 45.2    |
| Head Height C [mm]   | 15.0    |
| Head Height C1 [mm]  | 16.0    |
| Weight [Kg]  | 0.662   |