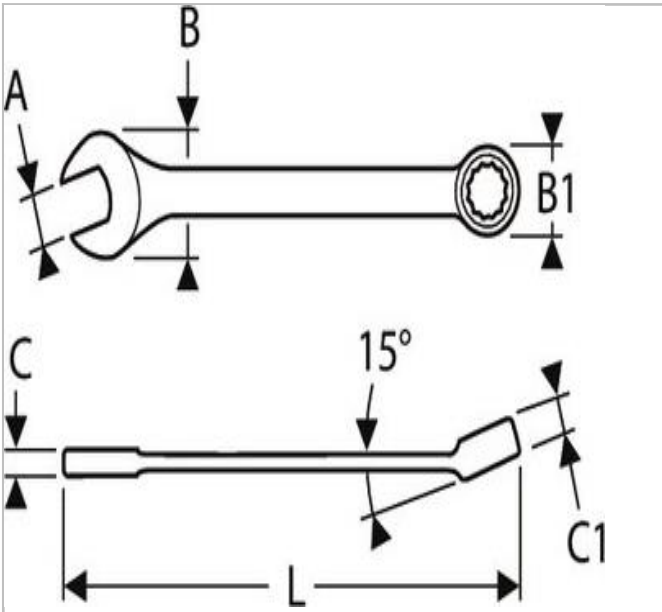



## E113359 | EXPERT Combination wrenches - Inch



### Description:

- ASME B 107-100
- 12-point OGV® ring angled at 15°.
- Open end angled at 15° from handle axis.
- OGV® profile maximizing the contact surface with the nut for a longer lifetime.
- Forged in Chrome Vanadium steel.
- High chrome finish.



	E113359
A [in]	13/16"
Length L [mm]	250.0
Thickness E1 [mm]	7.5
Thickness E2 [mm]	11.4
Head Width B [mm]	45.5
Head Width B1 [mm]	31.7
Weight [Kg]	0.194
Head Height C [mm]	7,5
Head Height C1 [mm]	11.4