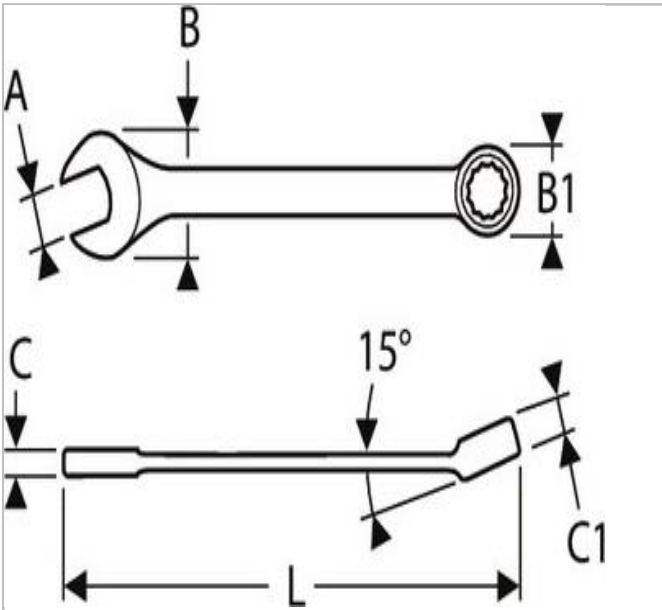



E113317 | EXPERT Combination wrenches - Inch



Description:

- ASME B 107-100
- 12-point OGV® ring angled at 15°.
- Open end angled at 15° from handle axis.
- OGV® profile maximizing the contact surface with the nut for a longer lifetime.
- Forged in Chrome Vanadium steel.
- High chrome finish.



	E113317
A [in]	9/16"
Length L [mm]	180.0
Thickness E1 [mm]	5.6
Thickness E2 [mm]	8.0
Head Width B [mm]	31.7
Head Width B1 [mm]	22.0
Weight [Kg]	0.079
Head Height C [mm]	5,6
Head Height C1 [mm]	8.0