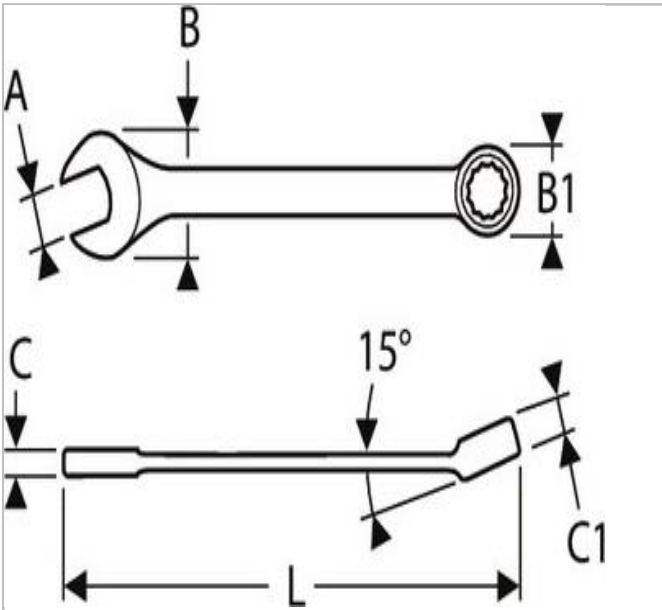



## E113314 | EXPERT Combination wrenches - Inch



### Description:

- ASME B 107-100
- 12-point OGV® ring angled at 15°.
- Open end angled at 15° from handle axis.
- OGV® profile maximizing the contact surface with the nut for a longer lifetime.
- Forged in Chrome Vanadium steel.
- High chrome finish.



	E113314
A [in]	3/8"
Length L [mm]	140.0
Thickness E1 [mm]	4.6
Thickness E2 [mm]	6.5
Head Width B [mm]	23.7
Head Width B1 [mm]	16.0
Weight [Kg]	0.038
Head Height C [mm]	4
Head Height C1 [mm]	6.5