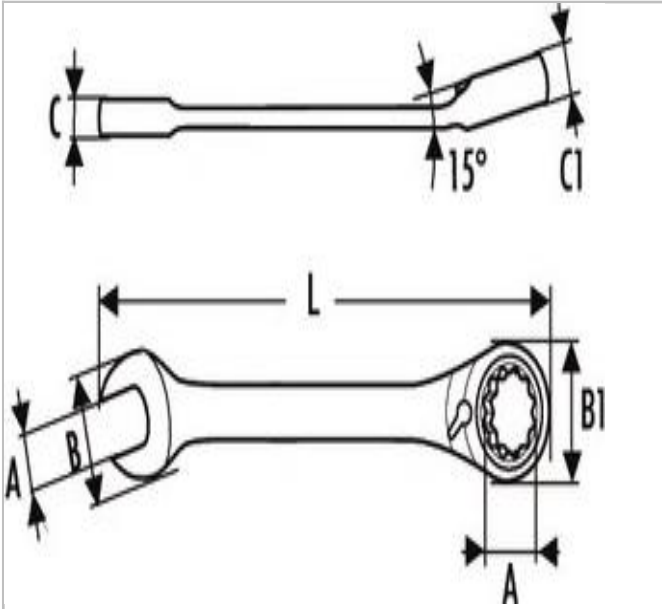



E113307 | EXPERT Ratchet combination wrenches - Metric



Description:

- ISO 691
- ISO 1711-1
- 5° increment.
- 12-point ring angled at 15°.
- Open end angled at 15° from the handle axis (increment angle 30°).
- Switch to change ratcheting direction built into handle to prevent accidental change.
- Forged in Chrome Vanadium steel.
- High chrome finish.



	E113307
A [mm]	15
Length L [mm]	199.0
Head Height C [mm]	7.9
Head Width B [mm]	34.0
Head Width B1 [mm]	29.2
Weight [Kg]	0.136