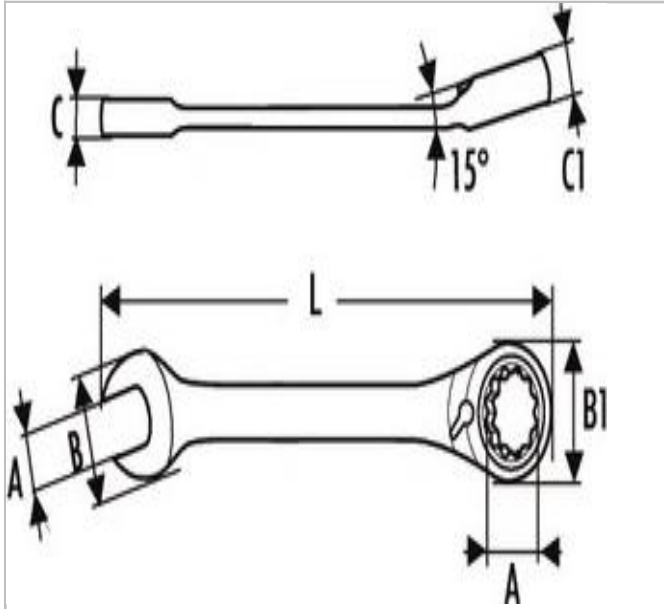



E113302 | EXPERT Ratchet combination wrenches - Metric



Description:

- ISO 691
- ISO 1711-1
- 5° increment.
- 12-point ring angled at 15°.
- Open end angled at 15° from the handle axis (increment angle 30°).
- Switch to change ratcheting direction built into handle to prevent accidental change.
- Forged in Chrome Vanadium steel.
- High chrome finish.



|  | E113302 |
|--|---------|
| A [mm] | 9 |
| Length L [mm] | 142.0 |
| Head Height C [mm] | 5.3 |
| Head Width B [mm] | 20.5 |
| Head Width B1 [mm] | 19.0 |
| Weight [Kg] | 0.04 |