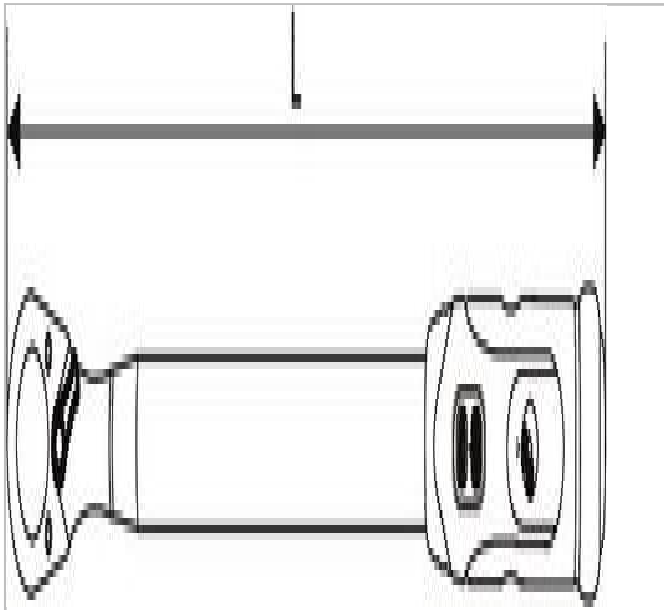



E100110 | EXPERT Torque wrenches



Description:

- ISO 6789
- Accuracy: +/4%.
- Comfortable grip.
- Direct torque value reading.
- Fast and easy setting.
- Supplied with calibration certificate.



	E100110
Length L [mm]	1200.0
Weight [g]	5850.0
Torque [Nm]	150 - 750
No. []	3/4