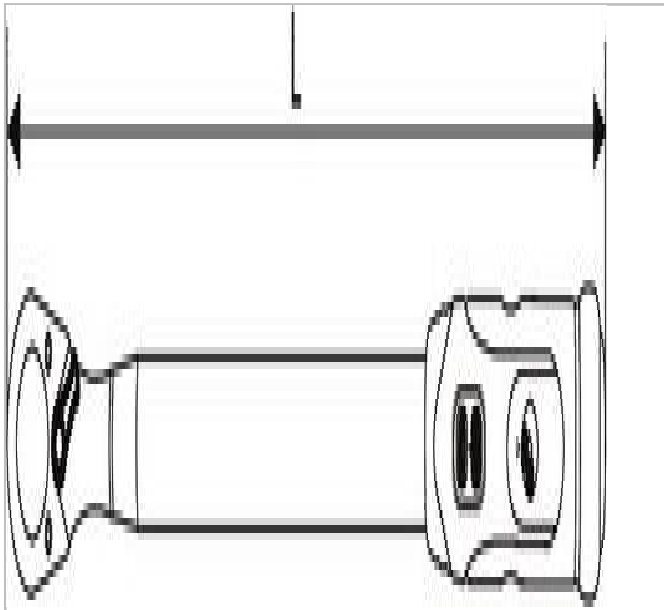



## E100109 | EXPERT Torque wrenches



### Description:

- ISO 6789
- Accuracy: +/4%.
- Comfortable grip.
- Direct torque value reading.
- Fast and easy setting.
- Supplied with calibration certificate.



	E100109
Length L [mm]	620.0
Weight [g]	1730.0
Torque [Nm]	60 - 340
No. []	1/2