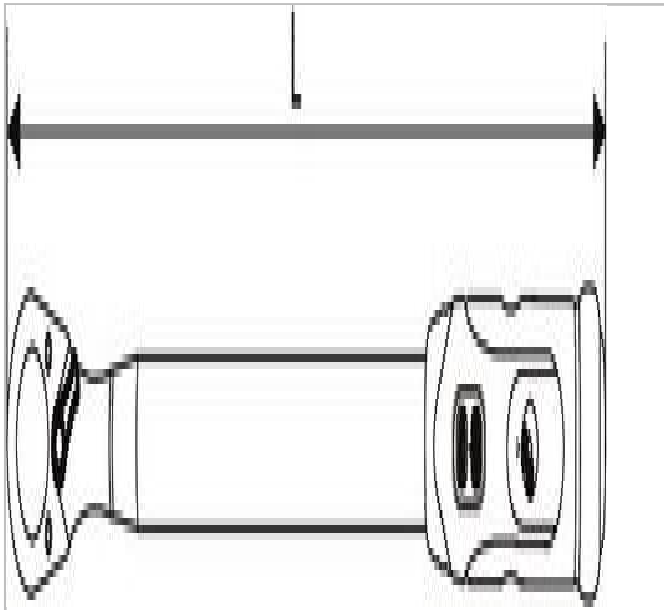



## E100108 | EXPERT Torque wrenches



### Description:

- ISO 6789
- Accuracy: +/4%.
- Comfortable grip.
- Direct torque value reading.
- Fast and easy setting.
- Supplied with calibration certificate.



	<b>E100108</b>
Length L [mm]	517.0
Weight [g]	1360.0
Torque [Nm]	40 - 200
No. []	1/2