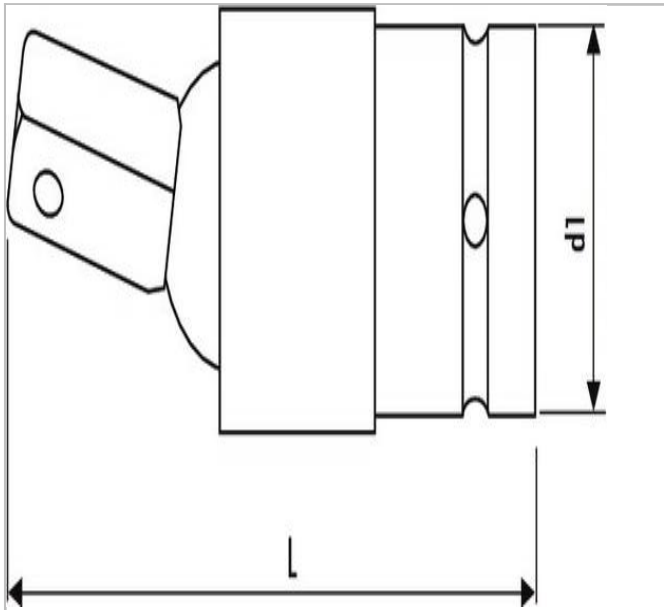



E041501 | EXPERT 3/4" impact universal joint



Description:

- Designed specifically to withstand demands of impact machinery.
- Chrome-Molybdenum steel.
- For your safety, use Impact universal joint with appropriate rings and pins.



	E041501
Length L [mm]	107.0
Diameter D1 [mm]	25.6
Weight [g]	700.0