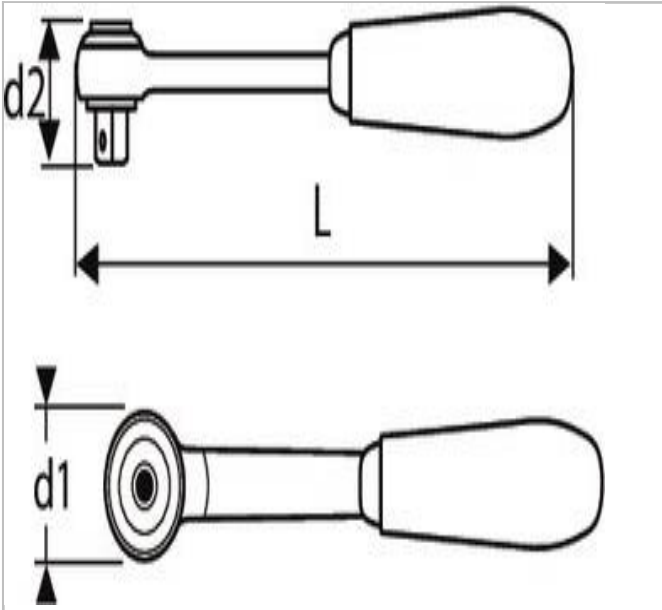



## E032808 | EXPERT 1/2" pear head ratchet



### Description:

- ISO 3315
- DIN 3122
- ISO 1174-1
- 72 tooth mechanism.
- 5° increment.
- Socket safety lock.
- Lever reverse: rotation direction displayed.
- High Chrome finish.
- Ergonomic bimaterial handle.



	E032808
Diameter D1 [mm]	38.0
Length L [mm]	250.0
Weight [g]	528.0