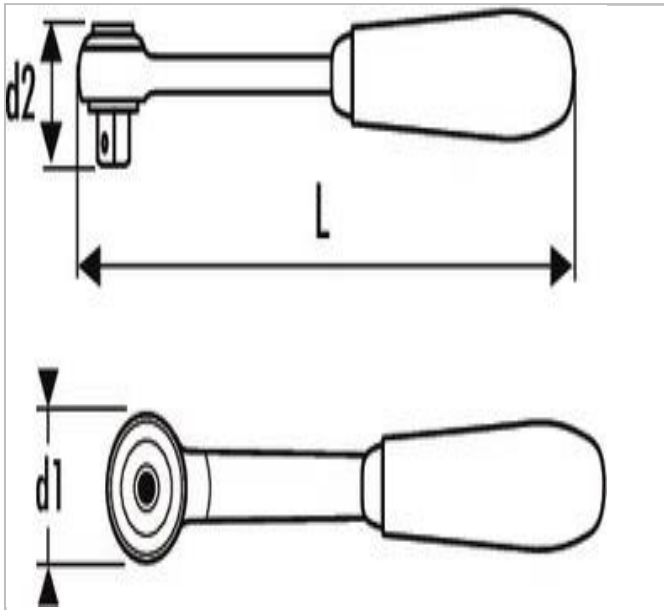



## E032803 | EXPERT 1/2" hinged ratchet handle



### Description:

- ISO 3315
- DIN 3122
- ISO 1174-1
- 72 tooth mechanism.
- 5° increment.
- Angled handle for better access.
- Long handle for stronger untightening.
- Socket safety lock.
- Reversing lever: rotation direction indication.
- High Chrome finish.
- Ergonomic bimaterial handle.



	<b>E032803</b>
Diameter D1 [mm]	40.0
Length L [mm]	437.0
Height H [mm]	46.0
Weight [g]	930.0