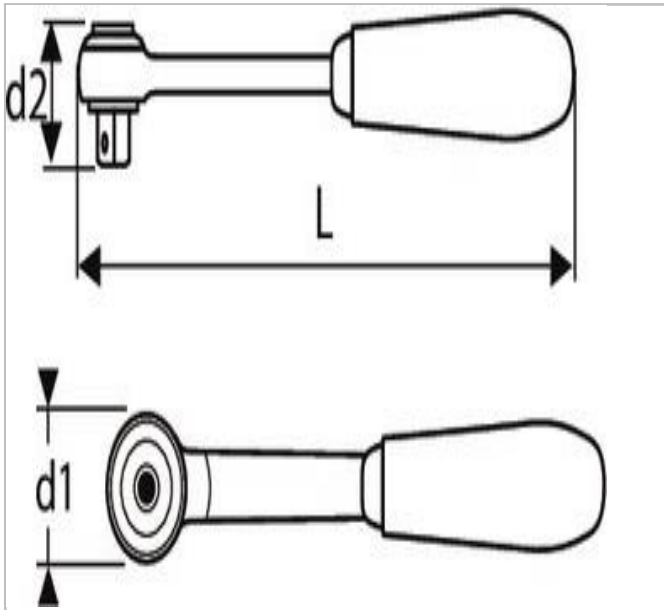



## E031706 | EXPERT 3/8" pear head ratchet



### Description:

- ISO 3315
- DIN 3122
- ISO 1174-1
- 72 tooth mechanism.
- 5° increment.
- Socket safety lock.
- Lever reverse: rotation direction displayed.
- High Chrome finish.
- Ergonomic bimaterial handle.



	<b>E031706</b>
Diameter D1 [mm]	32.0
Length L [mm]	300.0
Weight [Kg]	0.285