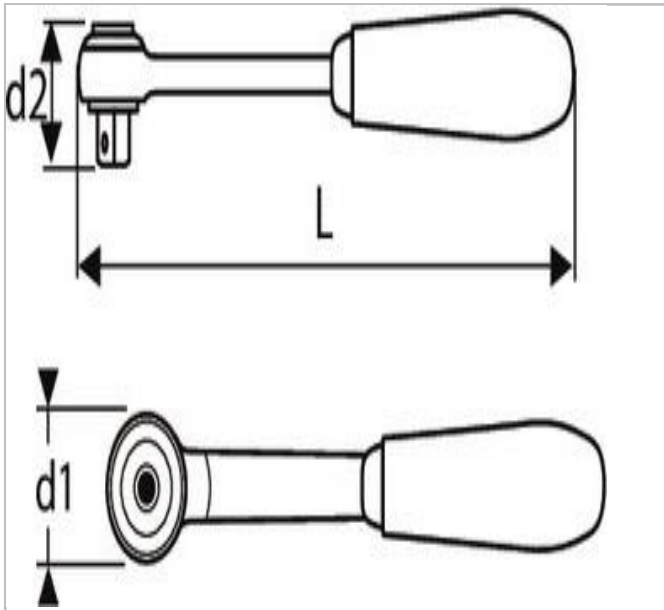



E031702 | EXPERT 3/8" hinged ratchet handle



Description:

- ISO 3315
- DIN 3122
- ISO 1174-1
- 72 tooth mechanism.
- 5° increment.
- Angled handle for easy access.
- Long handle for stronger untightening.
- Socket safety lock.
- Reversing lever: rotation direction indication.
- High Chrome finish.
- Ergonomic bimaterial handle.



	E031702
Diameter D1 [mm]	30.0
Length L [mm]	275.0
Weight [Kg]	0.39