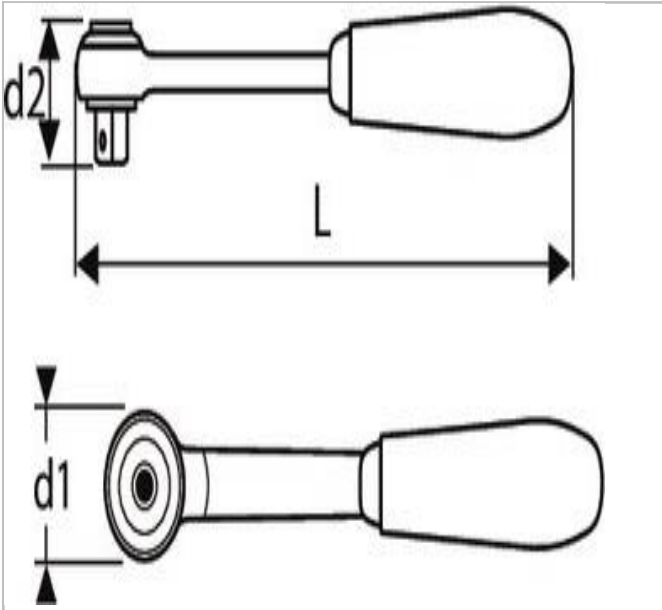



E030602 | EXPERT 1/4" hinged head ratchet



Description:

- ISO 3315
- DIN 3122
- ISO 1174-1
- 72 tooth mechanism.
- 5° increment.
- Compact and angled head for easier access.
- High Chrome finish.
- Ergonomic bimaterial handle.



	E030602
Diameter D1 [mm]	31.6
Length L [mm]	150.5
Weight [Kg]	0.13