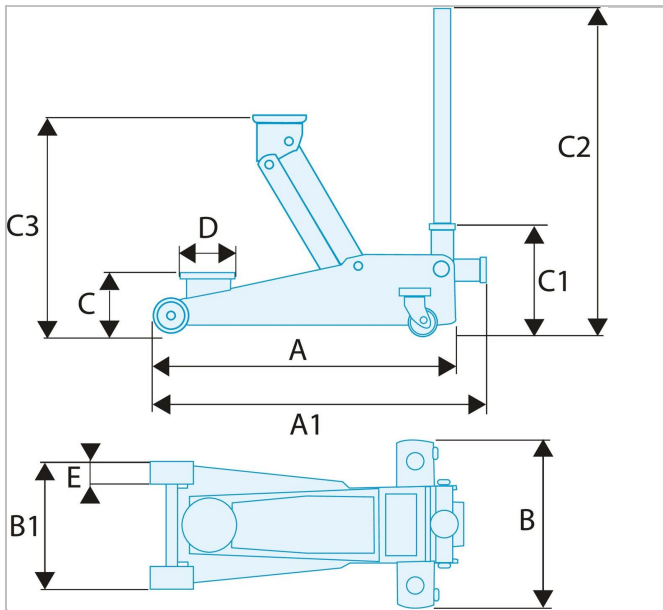



## DL.2LP | 3T extra-flat compact trolley jack



### Description:

- Ideal for distributions and for low ground clearance vehicles, or fitted with rocker panel protections.
- Lifting capacity: 2 t.
- Maximum lift: 505 mm
- Minimum under-body height: 75 mm.
- Quick lift double piston mechanism.
- Load descent rate regulation.
- Supplied with steel / rubber under-body bearing plate.
- Silent-running nylon tyred wheels.
- EC standard EN1494-ASME-PASE.



	DL.2LP
A [mm]	675.0
Length L [mm]	675.0
Thickness E [mm]	53.0
Head Height C [mm]	75.0
Head Height C1 [mm]	215.0
Head Width B [mm]	350.0
Head Width B1 [mm]	262.0
Length [mm]	350.0
Weight [Kg]	32.5
Tonnes [t]	2.0
f [mm]	true