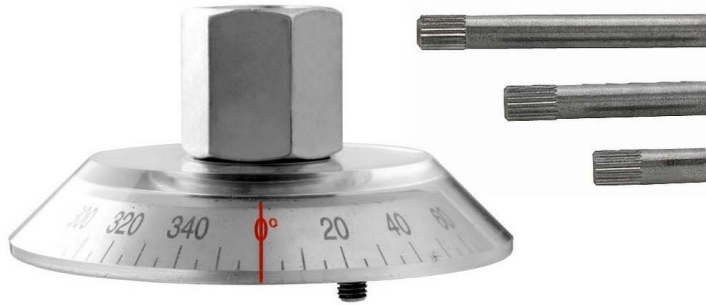


D.360L Lateral reading angular tightening wrench



Description:

- Lateral reading tapered drum for maximum legibility.
 - Double presetting index (red line). For tightening, just align the marks.
 - Accuracy: 2°.
 - Square 1/2".
 - Supplied with stops of 24 - 45 - 65 mm.
- Weight: 414 g.