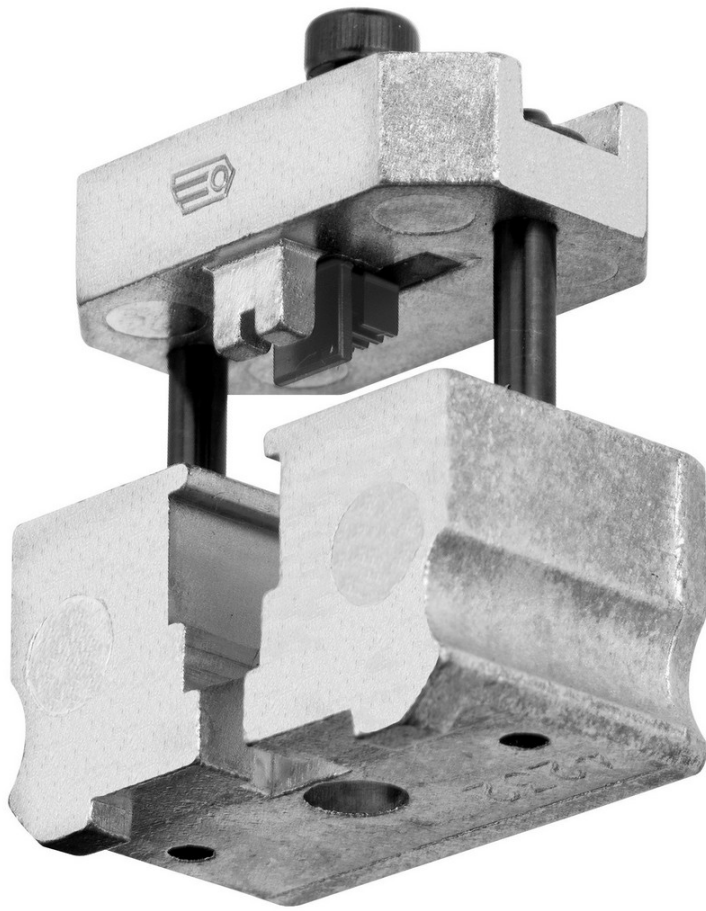


**986014** Crimping dies for phone connectors**Description:**

- For crimping pliers 985902.

---

d [mm]:	RJ11
---------	------

---

[g]:	50
------	----

---