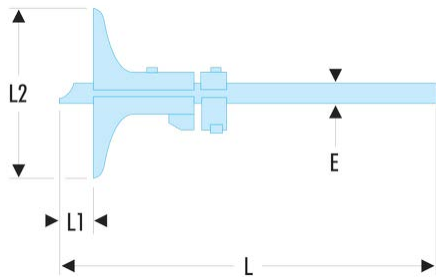
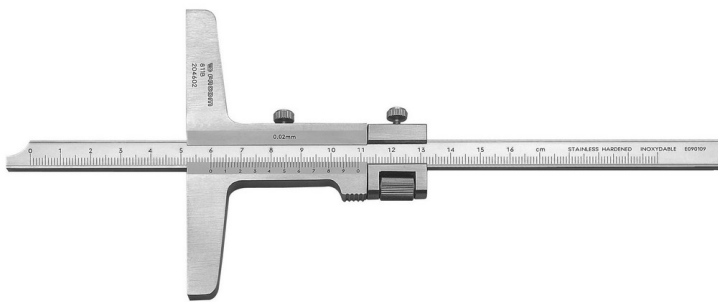


811B 811 - Depth gauges class 0 - 1/50th



Description:

- Accuracy: 1/50th - 0.02 mm.
- Stainless steel rule - mat finish.
- Rule hardness: 40 HRc minimum.
- Measurement surface hardness: 53 HRc minimum.
- Vernier with guide for better thumb position.
- Vernier endurance: 20 000 cycles minimum.
- Vernier locking by precision adjustment screw.
- Supplied in case with compliance certificate.

A [mm]: 160

E [mm]: 10

L [mm]: 240

L1 [mm]: 160

L2 [mm]: 100

Bias error
[μm]: 20

Accuracy
[mm]: 0,02

[g]: 465