

64C.S3 | 64C - Metric multi-opening straight ratchet ring wrenches

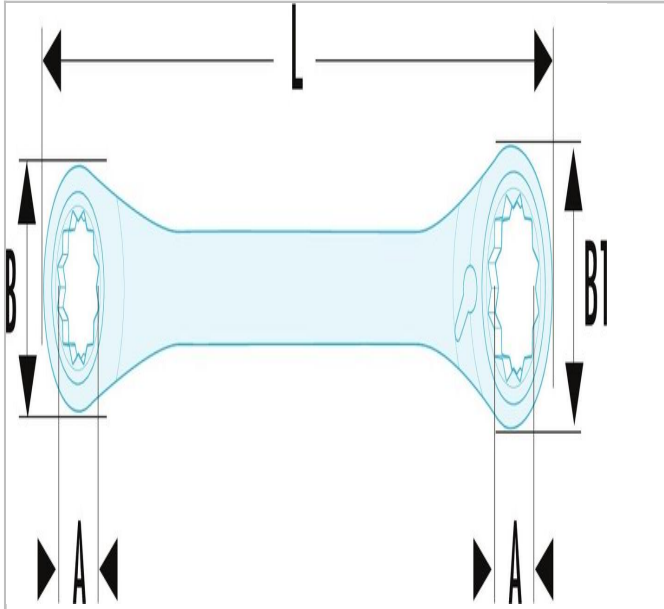



Standards:

NF ISO 1711-1, ISO 1711-1, DIN ISO 1711-1

Description:

- Straight multi-opening ratchet ring wrenches: highly versatile wrenches = 4 dimensions per wrench. Saves weight: 1 single wrench in the tool box instead of 4.
- 4 metric dimensions per wrench: - 64C.S1: 8x10 - 12x13 mm. - 64C.S2: 16x17 - 18x19 mm.
- Compact ratchet mechanism and reversible by lever.
- Increment 5°.
- Presentation: satin chrome finish.



	64C.S3
A [mm]	12x14 - 13x15
Length L [mm]	190.0
Head Width B [mm]	26.5
Head Width B1 [mm]	29.5
Weight [Kg]	0.163