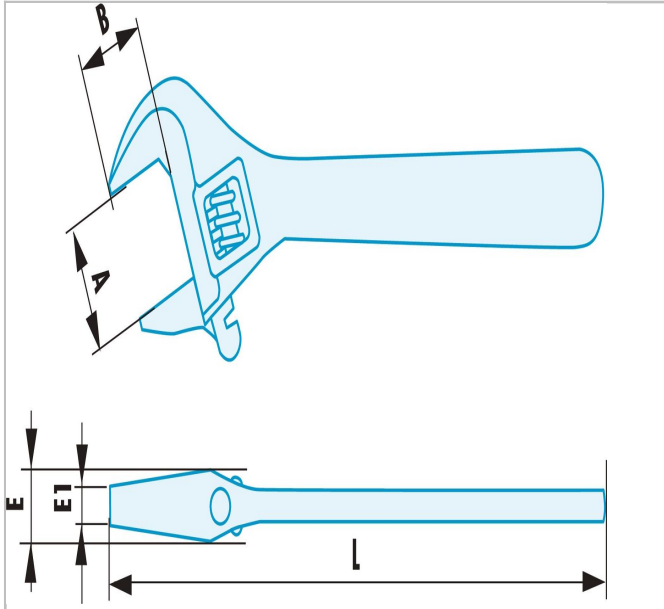



## 113A.15SR | 113A.SR - Non sparking adjustable wrenches



### Description:

- Special non sparking and anti-magnetic Copper-Beryllium alloy.



 FACOM	113A.15SR
A [mm]	46.0
Length L [mm]	375.0
Thickness E [mm]	23.4
Thickness E1 [mm]	13.7
Head Width B [mm]	42.0
Weight [g]	1400.0